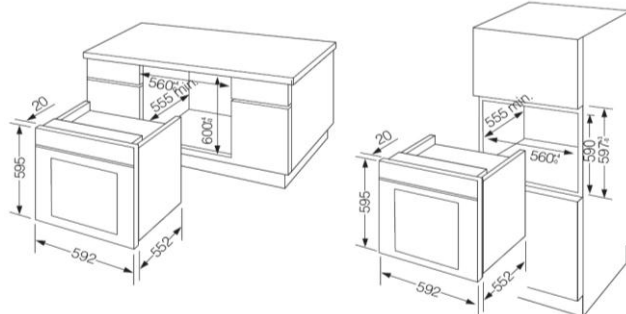


OVENS - FAGOR

901010011

6H-14 X

01 - GENERAL FEATURES	DETAILS
FRONT COLOR	STAINLESS STEEL
COOKING METHOD	MULTIFUNCTION OVEN
COOKING PROGRAMS	6
USABLE VOLUME (L) CAVITY 1	51 L
STEAM OUTLET SYSTEM	VENTILATED OUTLET
CONTROL SETTING DEVICES	FIXED KNOB
KNOBS COLOR	STAINLESS STEEL LOOK
02 - EQUIPMENT	DETAILS
FUNCTIONS/TEMPERATURE SELECTOR	YES
TEMPERATURE CONTROL	MECHANIC CONTROL
VARIABLE GRILL	2 POSITIONS
GRADED CAVITY	YES
CLEANING SYSTEM	NORMAL
TURN SPIT	NO
TIME CONTROL	MINUTE MINDER/STOP 120 MIN. (WITH WARNING BEEPER)
POWER SUPPLY CABLE	YES
TIME-SETTING OPTIONS	STOP
PILOT INDICATOR 'IN OPERATION'	ORANGE
THERMOSTAT PILOT INDICATOR	ORANGE
03 - SAFETY	DETAILS
SAFETY DOOR	2 GLASSES
SAFETY THERMOSTAT	YES
CHILD SAFETY FUNCTIONS BLOCKING	NO
AUTOMATIC DOOR LOCK (PYROLISIS FUNCTION)	NO
04 - ACCESSORIES	DETAILS
ENAMELLED TRAY	1
ENAMELLED DEEP TRAY	0
CHROMED GRID (SAFETY POSITION)	0
CHROMED GRID	1
05 - ENERGY INPUT	DETAILS
ELECTRICAL CONNECTION RATING (KW)	2.670 KW
GRILL POWER (KW)	2.60 KW
VOLTAGE / FREQUENCE (V/HZ)	230V/50HZ
CURRENT (AMP.)	16A
06 - ENERGETIC DATAS	DETAILS
ENERGY EFFICIENCY	A
CONVENTIONAL ENERGY CONSUMPTION	0.790
07 - LOGICITIC DATAS	DETAILS
EXTERNAL DIMENSIONS (W x D) (MM)	592 x 595
INTERNAL DIMENSIONS (H x W x D) (MM)	322 x 420 x 380