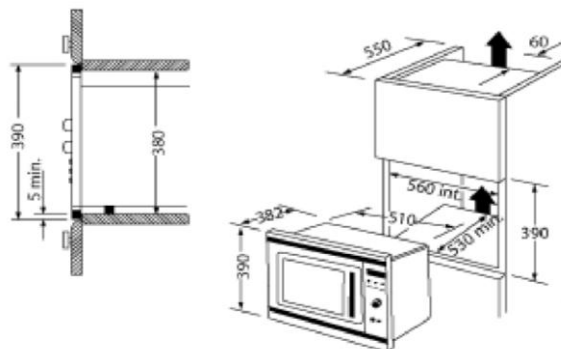


**MICROWAVES - FAGOR**

929010006

**MWB-23AEGX**

01-GENERAL DESCRIPTION	DETAILS
KNOBS COLOR	BLACK
POWER SUPPLY CORD	100 CM
PLUG TYPE	STANDARD SCHUKO
FRONT MATERIAL AND COLOR	STAINLESS STEEL/STAINLESS STEEL
TYPE OF CONTROL	ELECTRONIC
GRILL FUNCTION (QUARTZ)	QUARTZ
SIMULTANEUS TURBO+MICROWAVE FUNCTION	NO
INSTALLATION	FREE STANDING
MATERIAL OF THE WINDOW	GLASS
ADDITIONAL COOKING METHOD CONVENTIONAL	NO
NUMBER OF POWER LEVELS	5
CAVITY MATERIAL	STAINLESS STEEL
DOOR OPENING SYSTEM	LATERAL
TYPE OF MICROWAVE OVEN	MICROWAVES + SIMULTANEOUS GRILL
CAVITY CAPACITY (l)	23 L
02-CONTROL TYPE	DETAILS
60MIN MECANIC TIMER	ELECTRONIC 60 MIN.
24H. ELECTRONIC CLOCK	NO
03-CONTROL FEATURES	DETAILS
DEFROSTING BUTTON	YES
05-ELECTRIC FEATURES	DETAILS
TOTAL POWER	1.28
MWO POWER	0.8
GRILL POWER	1.2
VOLTAGE/FREQUENCY	230/50
INTENSITY (AMP.)	10
06-ACCESSORIES	DETAILS
BUILT-IN FRAME	YES
GLASS TRY DIAMETER	315 MM
BUILT IN FRAME (ACCESSORIE)	STAINLESS STEEL
GLASS ROLLER RING	GLASS
07-LOGISTIC DATAS	DETAILS
CAVITY (H x W x D) (MM)	205 x 330 x 330
PACKAGING DIMENSION (H x W x D) (MM)	460 x 655 x 440
GROSS WEIGHT	17
NET WEIGHT	15.3
08-CERTIFICATION	DETAILS
CERTIFICATIONS	CCA, CB, CCC