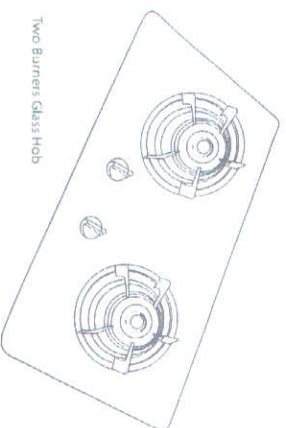
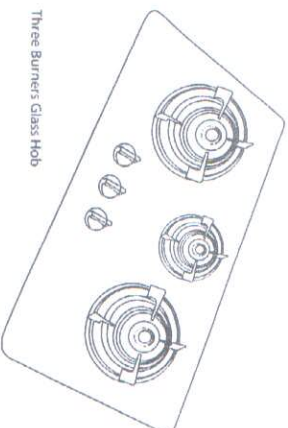




**BUILT-IN HOB**  
**INSTALLATION INSTRUCTION MANUAL**  
**(FOR FITTER ONLY)**  
**&**  
**USER INSTRUCTION MANUAL**



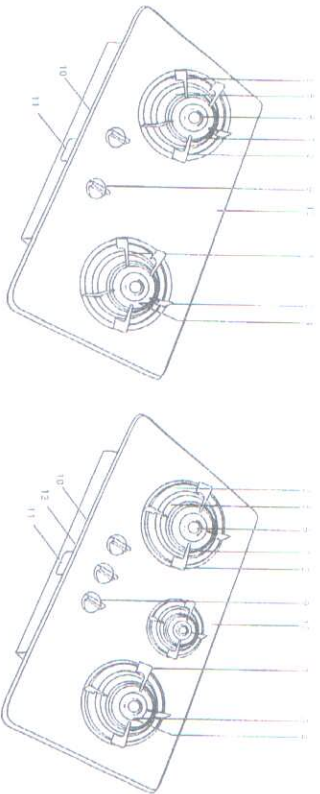
Marketed by:  
**Fagor Home Appliances (M) Sdn Bhd**  
Lot 9 - Unit B2, Natco Industrial Park,  
Lorong Kaiuli 1B, Seksyen 7,  
Perindustrian Bukit Raja Selatan,  
40000 Shah Alam,  
Selangor D. E., Malaysia  
[www.fagor.com.my](http://www.fagor.com.my)

The instruction manual should be read carefully prior to initial use in order to take full advantage of the glass hob features. Please retain it in a safe place after reading.  
**Installation and servicing of the glass hob must be carried out by an authorised personnel**

# C O N T E N T S

- 4** - PARTS IDENTIFICATION & SPECIFICATIONS
- 5** - PRECAUTION LOGO
- 6** - THANK YOU FOR USING FAGOR BUILT-IN HOB  
- CAUTION
- 7** - USER INSTRUCTIONS
- 8** - INSTALLATION INSTRUCTIONS
- 9** - HINTS ON INSTALLATION  
- SAFETY INSTRUCTIONS
- 10** - ILLUSTRATIONS  
- CLEANING
- 11** - TROUBLE SHOOTING

## PARTS IDENTIFICATION & SPECIFICATIONS



- |                  |                  |                        |                                       |
|------------------|------------------|------------------------|---------------------------------------|
| <b>PART NAME</b> | 1 - TRIVET STAND | 5 - OUTER CAP          | 10 - BOTTOM BASE                      |
|                  | 2 - WOK STAND    | 6 - INNER CAP          | 11 - LABEL                            |
|                  | 3 - SPARKER      | 7 - DECORATIVE COVER   | 12 - AIR VENTILATION PLATE (AIR-VENT) |
|                  | 4 - THERMOCOUPLE | 8 - ANTI-SPILLAGE TRAY | 13 - GLASS                            |
|                  | 9 - KNOB         |                        |                                       |

SPECIFICATIONS			
MODEL	2 BURNERS		3 BURNERS
BURNER HEAD	DOUBLE		TRIPLE
IGNITION SYSTEM	CONTINUITY SPARK		
CONSUMPTION (kW)	LEFT	RIGHT	MIDDLE
	4.0	4.0	3.8
			2.0
WEIGHT (KG)	14		15.6
GAS	LIQUEFIED PETROLEUM GAS (LPG)		
PRESSURE	30 MBAR		
RUBBER HOSE DIAMETER	10 MM		
DIMENSION (MM)	750(L)X500(W)X65(H)		860(L)X500(W)X65(H)
			830(L)X500(W)X65(H)

## PRECAUTION LOGO

Do not place anything in between pan and pan support that may seriously damage the hob.

Do not remove the pan support and enclose the burner. This will concentrate the flame and deflect the heat onto the hotplate.

Do not use large or heavy pots which can bend on the pan support and deflect the flame onto the hotplate.

Position pan centrally over burner so that it is stable. Do not let pan in overhang position.

Use only wok support supplied or recommended by the hob manufacturer.

## THANK YOU FOR USING FAGOR BUILT-IN-HOB

1. If gas leaks, switch-off the stopcock and open all windows for ventilation. Do not light a match or use a lighter! Refrain from operating electric switches. Contact relevant authority immediately.
2. Please use the specified gas. Incorrect gas usage will cause abnormal burning and lead to danger.
3. Please use good quality rubber hose and ensure connection being secured properly. Make sure that the hose does not pass on top of the hob. Do not depress or bend the hose.

## CAUTION

1. Please use the specified gas type.
2. When using the hob, please ensure proper ventilation in the kitchen.
3. Installation and servicing should be carried out by authorised personnel only.
4. Use only low pressure regulator for this appliance. (As shown in figure 4)

Figure 4



6

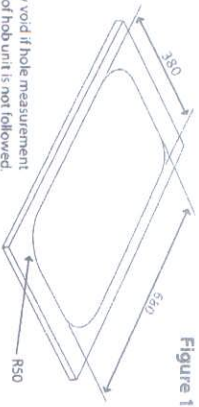
## - HOB WITH ELECTRONIC IGNITION

1. Insert the battery into the battery box. (The battery box is located at the left underneath of the hob)
2. Turn on the gas supply
3. Press the knob and turn it anti-clockwise 90° to maximum flame position. A continuous clicking sound will be heard to ignite the hob. Release the knob when the burner has been lit
4. Turning the knob will produce 5 different level of flames.
5. When turning the knob clockwise to "OFF" position, a click sound will be heard. The gas supply is shut off and the flame will extinguish.

7

## INSTALLATION INSTRUCTIONS

1. This hob unit must be installed by a qualified technician to avoid hazard.
2. Cut the opening 680 mm x 380 mm (rounded edges with radius R50 mm) as shown in figure 1.
3. Use new hose and new hose clip (screw type) for installation of your hob unit. (As shown in figure 2).
4. Install the hob in the cut-out. The glass top plate should fit the top of the bench properly. If fitting is not proper, please use plaster to seal any gap.
5. After installation, test with soapy water to ensure no gas leakage. (as shown in figure 3).



Note: Warranty void if hole measurement for installation of hob unit is not followed

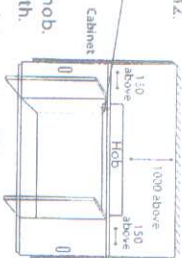
283 Burnes



8

## HINTS ON INSTALLATION

1. The underside of the hob must have a clearance of minimum 40 cm. Do not seal completely. The door of the cabinet should have ventilation blinds with ventilation area of not less than 0.02m<sup>2</sup>.  
Please do not seal; block anything underneath the bottom plate to allow proper heat ventilation.
2. Please use specified rubber hose.
3. Do not place gas cyclinder underneath the hob. The rubber hose must not exceed 2 m in length.
4. Observe minimum clearance surrounding the hob (more than 150 mm from the wall and more than 1000 mm for vertical distance). (Refer above diagram)



## SAFETY INSTRUCTIONS

1. Please use the specified gas type for the hob.
2. Please use the specified rubber hose for gas supply which does not break due to aging. The hose must not contact any part of the hob. (It is recommended to change the gas inlet hose every 2 years.)
3. Before using, please check to ensure that the burners, copper caps and wok stands are placed in proper position.
4. Do not use the hob to dry clothing or place combustible objects near the hob.
5. During cooking, please maintain proper ventilation in the kitchen and avoid direct strong wind to the hob.
6. Do not seal the cabinet door. When using the hob, ensure supply of fresh air into the cabinet.
7. Burner heads, copper caps and wok stands are hot after use. Please do not touch them.
8. If gas leaks, switch off the stopcock and open all windows for ventilation. Do not operate electric switches, insert or remove plug from the socket, and do not light a flame.
9. Do not spray aerosols in the vicinity of this hob while it is in operation. Some propellant gas may produce corrosive vapour when heated.
10. Flammable materials should not be stored in drawers or cupboards immediately below this hob.

9

## ILLUSTRATIONS

1. New hob or when the hob has been left unused for quite sometime, there could be air in the gas pipe. It may not lit at first ignition. Please repeat the ignition process to let out air in the pipe until it is lighted.
2. In case of yellow flame or backfire during burning, adjust the air ventilation plate situated at the hob base until the flame is normal. (There are air-vent for both of the inner ring and outer ring flame).

## CLEANING

Allow glass hob to cool before cleaning. The glass plate is best cleaned with cloth and warm soapy water. Use of abrasive powders and pastes should be avoided. When necessary, use only mild abrasive. To remove hardened grease, please use very fine steel wool.

Caustic solutions, washing soda, aerosol spray cleaners, bleach and some biological cleaners are detrimental to some finishing. Care must be taken not to apply them onto burners and caps.

Do not wash burner caps in a dishwasher.

For cleaning, remove spillage from the anti-spillage tray as soon as possible. Control knobs may be pulled off for cleaning. But take care not to allow water to enter through the holes into the glass plate.

When re-assembling the anti-spillage tray, always ensure that it is correctly located over the spark electrode. Care should be taken to keep the electrode clean and avoid damage to the porcelain insulator when removing the anti-spillage tray during cleaning.

10

## TROUBLE SHOOTING

Fault	Causes	Remedies
Failed ignition	The gas valve is not open Battery not installed or wrong position. Battery weak Air exist in the pipe. The rubber hose is bent.	Turn off the hob and open the gas valve. Install the battery in correct position. Change new battery. Repeat the ignition to let out the air in the pipe. Straighten it or replace it with a new hose.
	<b>Sparker is dirty.</b> Distance between sparker and burner cap not correct. <b>Burner cap and sparker wet.</b>	<b>Clean the sparker.</b> Adjust the distance between 4 - 6 mm. <b>Dry the burner cap and sparker with cloth.</b>
	Thermocouple position not correct. <b>Thermocouple dirty.</b> Sparker support position not correct.	Adjust the position until the flame is heating it. <b>Clean thermocouple.</b> Adjust position of the sparker support.
The combustion is not in a normal condition	<b>The air inlet is not in a normal condition.</b> Burner cap is not in a normal position. <b>The burner is blocked.</b>	<b>Adjust the air inlet valve.</b> Set the burner at an optimal position. <b>Clean the burner.</b>
	The gas pressure is not correct. <b>The nozzle is blocked.</b>	Adjust or change the gas regulator. <b>Must be handled by qualified technician.</b>
Smelling of gas	The rubber hose is broken. Connection of rubber hose not proper. <b>Gas cooker problem.</b>	Replace the rubber hose Connect the rubber hose properly. <b>Consult trained technician.</b>
Burner backfire to injector.	The burner does not ignite <b>Excessive dirt found in the burner mixing tube.</b>	Ignite again after gas is cleared. <b>Remove and clean burner.</b>
	Excessive gas pressure	Check gas regulator pressure. Adjust if necessary.
Burner has explosive	<b>Excessive gas pressure.</b>	Check gas regulator pressure. Adjust if necessary.

Note: Please contact the authorized agent or the gas supply authority service department immediately for any problem that cannot be rectified

11