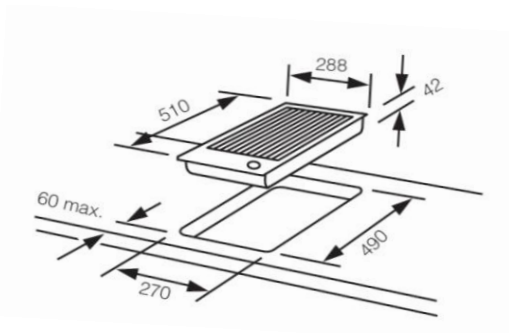


**HOBS - FAGOR**  
922013028  
**2MF-VGX**



01 - GENERAL DESCRIPTION		DETAILS
HOBS FAMILY		VITROCERAMIC GRILL
TYPE OF DESIGN		DOMINO
INSTALLATION		INDEPENDENT HOB
BASIC SURFACE MATERIAL		CERAMIC GLASS
TYPE OF FRAME		STAINLESS STEEL FRAME
NUMBER OF INDUCTION HEATING ZONES		0
NUMBER OF RADIANT HEATING ZONES		0
NUMBER OF HALOGEN HEATING ZONES		0
NUMBER OF ELECTRIC ZONES		0
NUMBER OF GAS BURNERS		0
COVER TYPE		WITHOUT COVER
02 - CONTROL PANEL DESCRIPTION		DETAILS
TOUCH CONTROL		NO
POWER "ON" INDICATOR		PILOT LIGHT
HEATING ZONE "ON" INDICATOR		NO
NUMBER OF "ON/OFF" SENSORS		NOT APPLICABLE
AUTOMATIC IGNITION IN PUSH BUTTON		NO
03 - HEATING ZONES DESCRIPTION		DETAILS
TYPE OF 1ST HEATING ZONE		ELECTRIC RESISTANCE
LOCATION OF 1ST HEATING ZONE		CENTRE
DIMENSION OF 1ST HEATING ZONE		NO
M POWER OF 1ST HEATING ZONE		1.5
TYPE OF 2ND HEATING ZONE		NO
DIMENSION OF 2ND HEATING ZONE		NO
POWER OF 2ND HEATING ZONE		NO
TYPE OF 3RD HEATING ZONE		NOT APPLICABLE
DIMENSION OF 3RD HEATING ZONE		NOT APPLICABLE
POWER OF 3RD HEATING ZONE		NOT APPLICABLE
TYPE OF 4TH HEATING ZONE		NOT APPLICABLE
DIMENSION OF 4TH HEATING ZONE		NOT APPLICABLE
POWER OF 4TH HEATING ZONE		NOT APPLICABLE
TYPE OF 5TH HEATING ZONE		NOT APPLICABLE
DIMENSION OF 5TH HEATING ZONE		NOT APPLICABLE
POWER OF 5TH HEATING ZONE		NOT APPLICABLE
04 - PAN STANDS (PAN SUPPORTS)		DETAILS
TYPE OF PAN STANDS (PAN SUPPORT)		NOT APPLICABLE
05 - SAFETY SYSTEMS		DETAILS
M CHILD LOCK		NO
RESIDUAL HEAT INDICATOR		1 PILOT LIGHT
SAFETY THERMOSTAT FOR ELECTRIC HEATING ZONES		NO
SAFETY DEVICE FOR ELECTRIC HEATING ZONE		NO
SAFETY DEVICE TO DETECT POTS AND PANS		NO
SAFETY DEVICE FOR GAS BURNERS (THERMOCOUPLE)		NO
06 - ELECTRIC / GAS FEATURES		DETAILS
M VOLTAGE/FREQUENCY(VV/Hz)		220-230V 50Hz
CURRENT (A)		6
M TOTAL ELECTRICAL POWER (KW)		1.5
LENGTH OF ELECTRICAL SUPPLY CORD (CM)		130
GAS TYPE		NOT APPLICABLE
TOTAL GAS POWER (KW)		0
07 - ACCESSORIES		DETAILS
ALTERNATIVE GAS KIT		NO
08 - LOGISTICS INFORMATION		DETAILS
BUILT IN RECESS SIZE (MM)		268 X 490
DIMENSIONS WITHOUT PACKAGING (H x W x D) (MM)		50 x 288 x 510