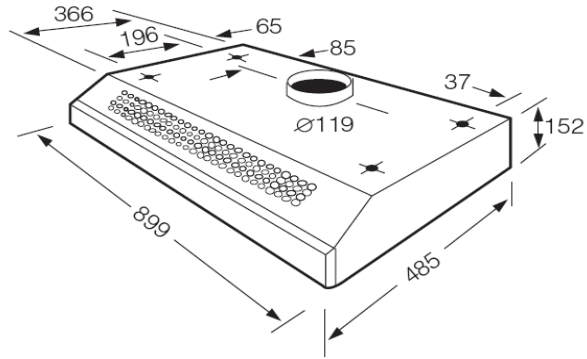


**HOODS - FAGOR**  
 932011804  
**CC-239X**



| 01 - GENERAL DESCRIPTION   |  | DETAILS                         |
|----------------------------|--|---------------------------------|
| M                          | TYPE                                       | CONVENTIONAL                    |
| M                          | INSTALATION                                | UNDER FURNITURE                 |
| M                          | MOTOR LOCATION                             | INTEGRATED                      |
| M                          | NUMBER OF SPEED SETTINGS                   | 3                               |
| M                          | BOOST POSITION                             | NO                              |
| M                          | CONTROL PANEL                              | SLIDER                          |
| M                          | TYPE OF LAMPS                              | INCANDESCENT LIGHT              |
| M                          | EVACUATION MODE                            | YES                             |
| M                          | RECYCLING MODE                             | YES (CONVERTIBLE)               |
| 02 - STANDARD EQUIPMENT    |  | DETAILS                         |
| M                          | TYPE OF CONTROL                            | MECHANIC                        |
| M                          | NUMBER OF LAMPS                            | 2                               |
| M                          | GREASE FILTER MATERIAL                     | METALIC FILTER + FILTER SUPPORT |
| M                          | NUMBER OF FILTERS                          | 2                               |
| M                          | NO-RETURN AIRFLOW FLAP                     | YES                             |
| 03 - TECHNICAL DATAS       |  | DETAILS                         |
| M                          | MAXIMUM OUTPUT AIR EXTRACTION (M3/H)       | 350 M3/H                        |
| 04 - ELECTRICAL CONNECTION |  | Value                           |
| M                          | TOTAL POWER (W)                            | 320                             |
| M                          | TOTAL POWER OF THE MOTORS (W)              | 120                             |
| M                          | TOTAL POWER OF THE LAMPS (W)               | 80                              |
| M                          | VOLTAGE/ FREQUENCE (V/HZ)                  | 220-240V/50Hz                   |
| M                          | CURRENT (A)                                | 10                              |
| 05 - LOGISTICS DATAS       |  | DETAILS                         |
| M                          | DIMENSIONS (H x W x D) (MM)                | 120 x 900 x 485                 |
| M                          | CHIMNEY REGULATION DIMENSIONS MAX-MIN (MM) | 794 / 1140                      |
| M                          | NET WEIGHT (KG)                            | 14                              |