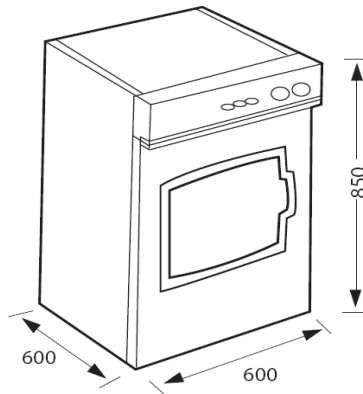


DRYERS - FAGOR
936010007
1SF-70CB



01 - TYPE		DETAILS
DRYER TYPE		CONDENSING
LOADING TYPE		FRONT
BUILT-IN / FREE-STANDING		FREE-STANDING
COLOR / MATERIAL BODY		WHITE
DRUM MATERIAL		STAINLESS STEEL
DOOR OPENING 180°		YES
DOOR HINGE		REVERSIBLE
COVER DOOR / DOUBLE DOOR		NO
FLOSS FILTER		YES
M CONDENSE BOWL		YES
LOCATION OF VENTING EXIT		NO
FEET AND WHEELS		4 LEGS
02 - GENERAL		DETAILS
MOISTURE MONITORING SYSTEM		TERMOSTAT
HEATER TYPE		ELECTRIC
REVERSE TUMBLE ACTION		YES
ANTI-CREASE FUNCTION		NO APPLICABLE
INTERIOR LIGHT		NO
VENT HOSE		NO
EXHAUST WATER PIPE		NO
HEATING SAFETY		YES
QUICK DRY		NO
03 - PROGRAMMING		DETAILS
TENSION / FREQUENCY (V/HZ)		230 V / 50 HZ
CURRENT (A)		10
CONNECTION RATING (W)		2250
M CONTROL SETTING FOR DRYING		MECANIC 160 MIN.
M DELICATES CYCLE		NO
WOOL PROGRAM		NO
04 - OPERATING CONTROL		DETAILS
PROGRESS INDICATOR		PANEL
DIGITAL COUNTDOWN INDICATOR		NO
START DELAY OPTIONS		3-6-9
ON/OFF KEY		YES
START PROGRAMME STARTING KEY		YES
M COTTON SELECTION KEY		YES
END OF CYCLE INDICATOR		NO
M LOCK KEY SELECTION		NO
ANTI-KEY		YES
DELAYED PROGRAMME START KEY		YES
M MIXED LOAD KEY		YES
M DELICATE CLOTHES KEY		YES
M IN OPERATION PILOT		YES
FULL TANK INDICATOR		YES
BLOCKED FILTER INDICATOR		YES
05 - ACCESORIES		DETAILS
OPTIONAL ACCESSORIES		KIT EOLE - COD. 994990186
06 - TECHNICAL SPECIFICATIONS		DETAILS
CAPACITY COTTON (KG)		7
ENERGY EFFICIENCY CLASS		B
ENERGY CON. KWH COTTON CUPBOARD DRY 70% (800RPM)		3.92
TOTAL ANNUAL ENERGY CONSUMPTION (KWH)		285
DELICATE TEXTILES DRYING CAPACITY		3
07 - LOGISTIC DATAS		DETAILS
DIMENSIONS WITHOUT WORKTOP (H x W x D) (MM)		NO APLICABLE
DIMENSIONS WITH WORKTOP (H x W x D) (MM)		850 x 600 x 600